



Regulation R18

Subject code: 2P4CC

**TKR COLLEGE OF ENGINEERING AND TECHNOLOGY**

(Autonomous, Accredited by NAAC with 'A' Grade)

**B.Tech IV Semester Supplementary Examinations, July 2022**

**MACHINE DRAWING**

(Mechanical Engineering)

**Maximum Marks: 70**

**Date:26.07.2022 Duration: 3 Hours**

---

**Part-A**

Answer any three questions.

(3x10M=30 Marks)

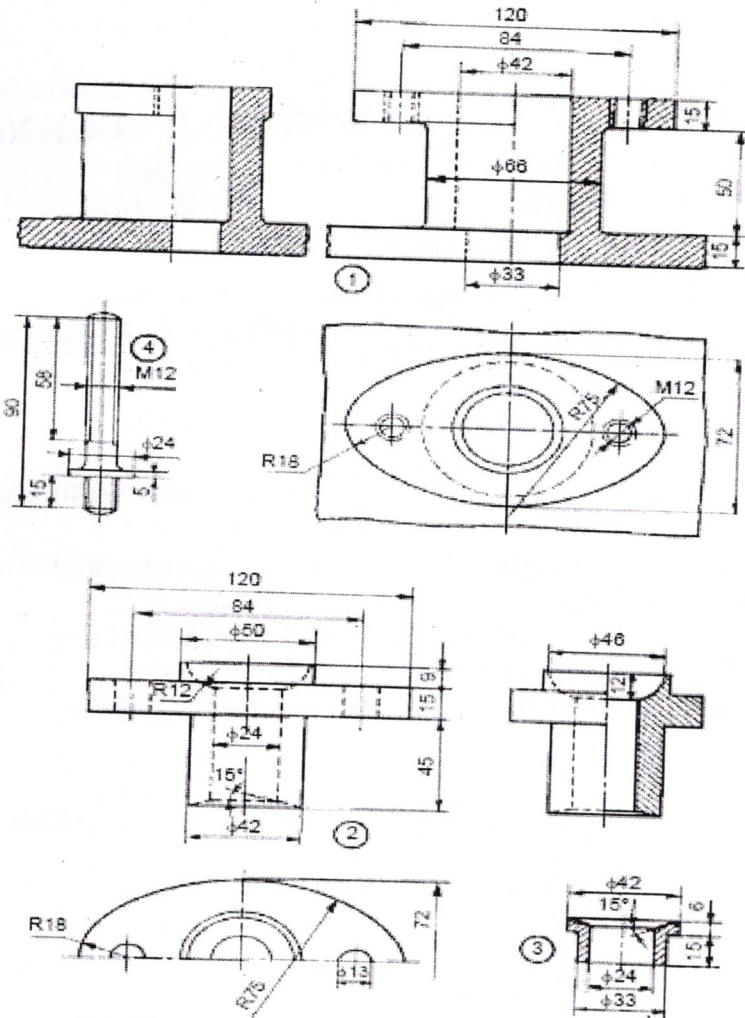
- 1 Sketch the conventional representation of the following materials:(a) concrete (b) Glass, c) Liquids, (d) Wood
- 2 Draw sectional view of single riveted single plate lap joint with thickness 5mm.
- 3 Sketch conventional representation of any four thread forms.
- 4 Draw sectional view of single plate double strap butt joint with thickness 10mm.

**Part-B**

Answer the following question.

(1X40=40Marks)

3



Parts list

Part No.	Name	Matl	Qty
1	Body	CI	1
2	Gland	Brass	1
3	Bush	Brass	1
4	Stud	MS	2
5	Nut, M12	MS	2