



Regulation R20

Subject code:3P4CE

**TKR COLLEGE OF ENGINEERING AND TECHNOLOGY**

(Autonomous, Accredited by NAAC with 'A+' Grade)

**B.Tech IV Semester Supplementary Examinations, December 2025**

**MACHINE DRAWING**

**(ME)**

**Maximum Marks: 70**

**Date: 30.12.2025**

**Duration: 3 Hours**

**Note:** 1. This question paper contains two parts A and B.  
2. Part A is compulsory which carries 10 marks. Answer all questions in Part A.  
3. Part B consists of 2 questions. Answer any 1 question which carries 50M.

**Part-A**

**Answer Any Three Questions**

**(3X10=30M Marks)**

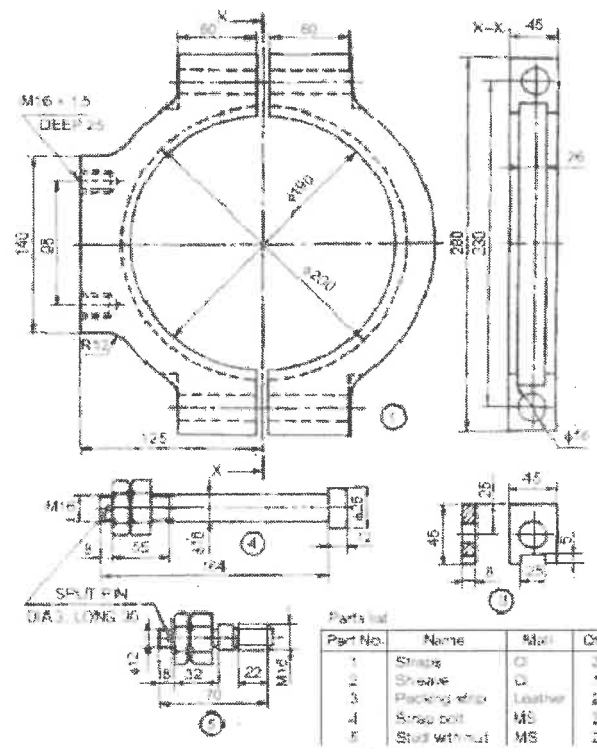
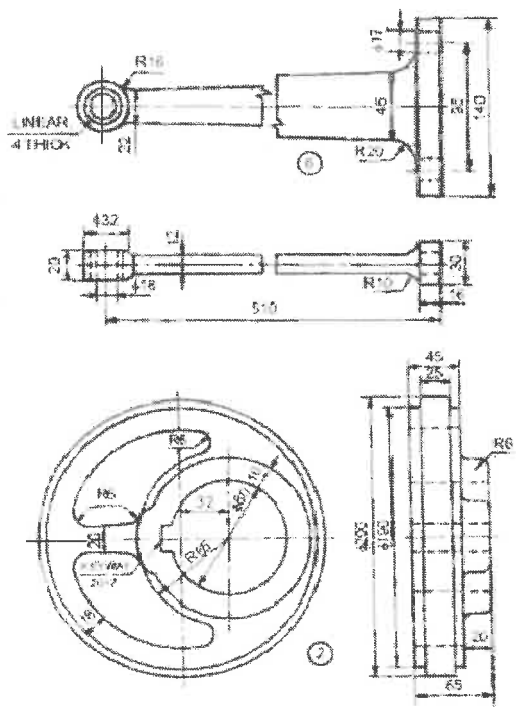
- |   |  |
|---|--|
| 1 | Sketch the following thread profiles for a pitch 30 mm and give their applications: (a). ACME thread (b) Square thread.  |
| 2 | Draw (a) view from the front and (b) sectional view from the side of a plummer block with double row self-aligning ball bearing, suitable for supporting a shaft of diameter 30mm.   |
| 3 | Draw (a) half sectional view from the front, top half in section and (b) half sectional view from the side, left half in section, of a split-muff coupling, indicating proportions to connect two shafts, each of diameter 50 mm |
| 4 | Draw the sectional view from the front, and view from the side of a cotter joint with sleeve used to connect two rods of 30 mm diameter each   |

**Part-B**

**Answer the following question**

**( 1X 40=40MMarks)**

- |   |                                |
|---|--------------------------------|
| 5 | Draw Assembly of the Following |
|---|--------------------------------|



Parts list

Part No.	Name	Matl.	Qty.
1	Shaft	CI	2
2	Shoulder	CI	1
3	Packing strip	Leather	2
4	Screw bolt	MS	1
5	Stud without	MS	2