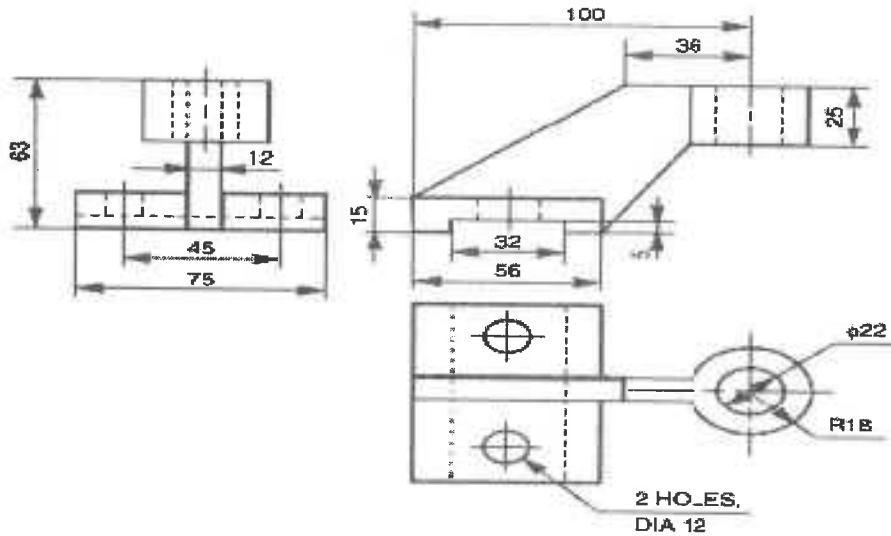


- 10 Draw the isometric view of the following figure. All dimensions are in mm [10M]

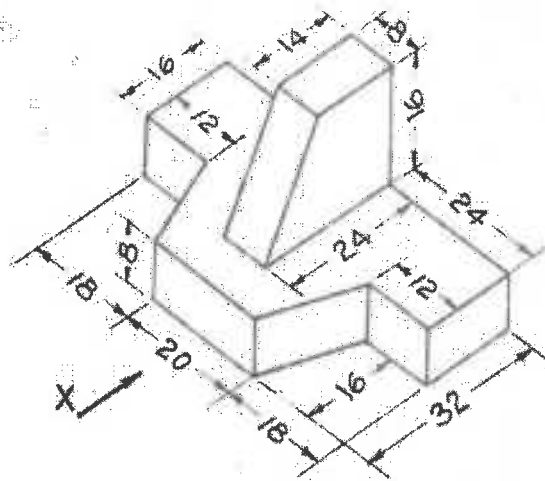


5

L3

OR

- 11 Draw the front view, side view from the right, and top view of the block as shown in the fig. (All dimensions are in mm). [10M]



5

L3

