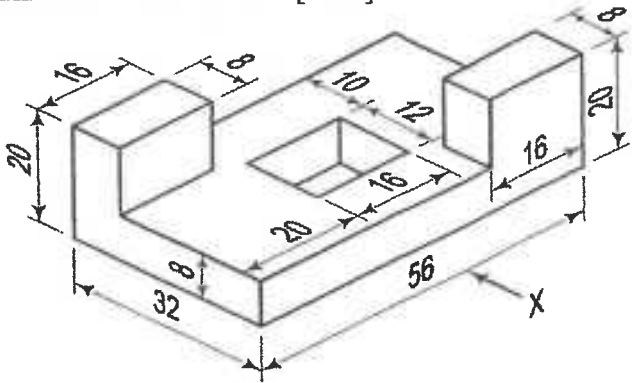
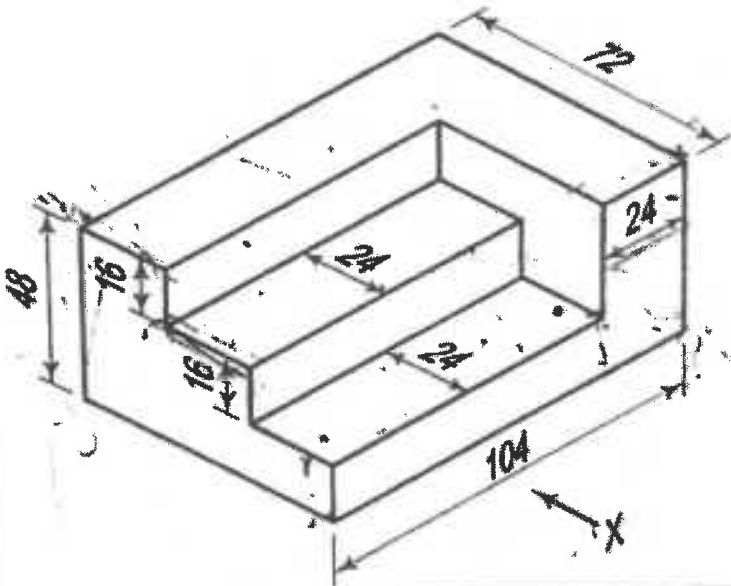


9	<p>Draw the front view, top view and side view of the figures shown below. All dimensions are in mm. [14M]</p> 	CO5	L3
OR			
10	<p>Draw front View top vies and side view for the following figure: [14M]</p> 	CO5	L3