



R20 Regulation

Subject code:3P4CE

TKR COLLEGE OF ENGINEERING AND TECHNOLOGY

(Autonomous, Accredited by NAAC with 'A+' Grade)

B.Tech IV Semester Supplementary Examinations, July 2024

MACHINE DRAWING (ME)

Maximum Marks: 70

Date:31.07.2024 Duration: 3 hours

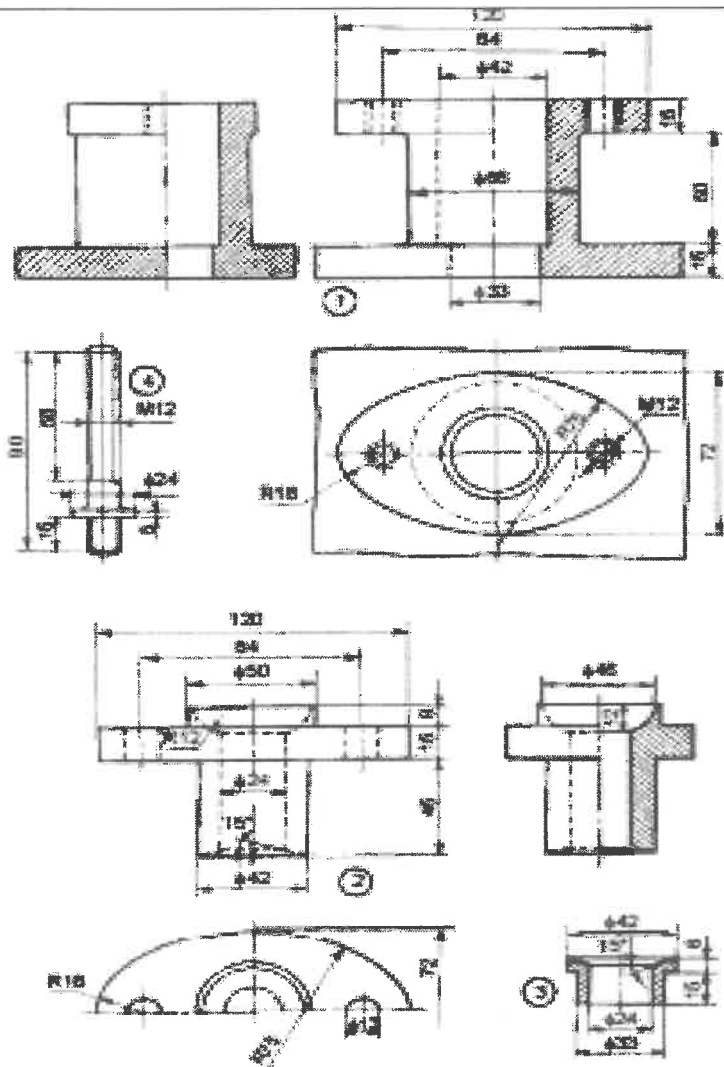
- Note:
- 1.This question paper contains two parts A and B.
 2. Part A is compulsory which carries 20 marks. Answer all questions in Part A.
 3. Part B consists of 5 Units. Answer any one full question from each unit which carries 10M.
 4. Each question carries 10 marks and may have a, b, c, d as sub questions.

Part-A

Answer Any Three Questions		(3x10=30M Marks)	CO	Block Tx
1	Draw the three views of a hexagonal headed bolt of nominal diameter 25mm and length 100 mm with a hexagonal nut and washer		1	L2
2	Draw (a) sectional view from the front and (b) view from above, of the following riveted joints, to join plates of thickness 10 mm double riveted, double strap, zig-zag butt joint.		1	L2
3	Draw (a) half sectional view from the front, top half in section and (b) half sectional view from the side, left half in section, of a split-muff coupling, indicating proportions to connect two shafts, each of diameter 50 mm		2	L2
4	Draw (a) sectional view from the front and (b) view from the side of a gland and stuffing box type of expansion joint, to connect two pipes, each of diameter 100 mm.		2	L2

Part-B

Answer the following question		(1X 40=40M) Marks)		
5	Assemble all parts of the stuffing box for a vertical steam engine, shown in Fig. 1 and draw its,(i) half sectional view from the front		1	L3



Parts list

Part No.	Name	Matl.	Qty.
1	Body	CI	1
2	Gland	Brass	1
3	Bush	Brass	1
4	Stud	MS	2
5	Nut M12	MS	2

Fig. 18.1 Stuffing box.