



Regulation R18
TKR COLLEGE OF ENGINEERING AND TECHNOLOGY
(Autonomous, Accredited by NAAC with 'A+' Grade)
B.Tech IV Semester Supplementary Examinations, July 2024

Subject code:2P4CC

MACHINE DRAWING
(Mechanical Engineering)

Maximum Marks: 70

Date:23.07.2024 Duration: 3 Hours

- Note:**
- 1.This question paper contains two parts A and B.
 2. Part A is compulsory which carries 20 marks. Answer all questions in Part A.
 3. Part B consists of 2 questions. Answer any 1 question which carries 50M.

Part-A

Answer any three questions carry equal marks

(3x10M=30 Marks)

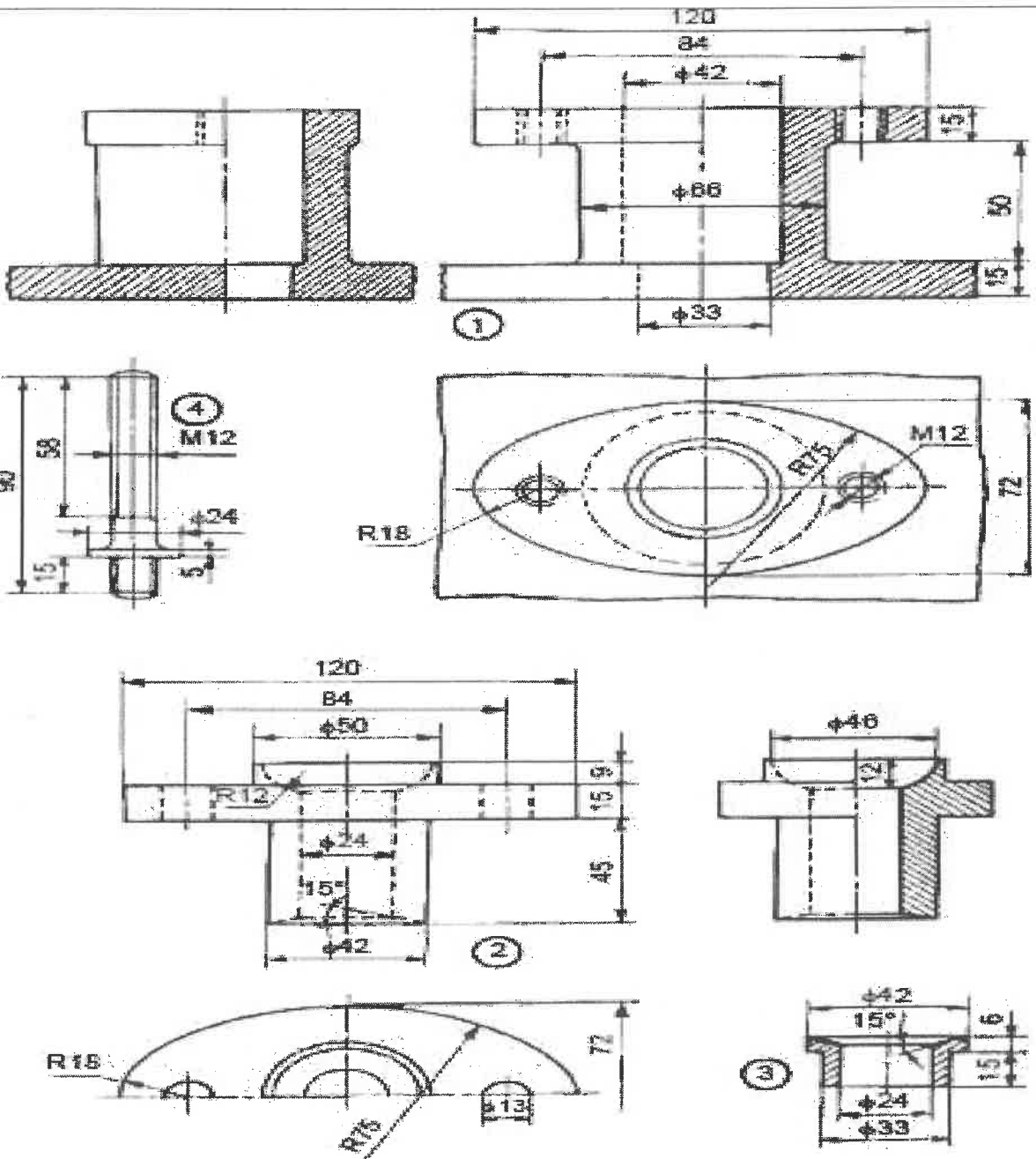
- | | |
|---|---|
| 1 | Sketch the conventional representation of the following materials:
(a) Concrete (b)Glass, (c)Liquids, (d) Wood |
| 2 | Draw sectional view of single riveted single plate lap joint with diameter 20mm. |
| 3 | Draw the half sectional view from the front, with top view knuckle joint, to connect two rods of 30 mm diameter each. |
| 4 | Draw the half sectional front view of a journal bearing which can accommodate 40mm diameter of the shaft |

Part-B

Answer the following question

(40M X 1=40Marks)

5



Parts list

Part No.	Name	Matl	Qty
1	Body	CI	1
2	Gland	Brass	1
3	Bush	Brass	1
4	Stud	MS	2
5	Nut. M12	MS	2