



R20 Regulation

Subject code: 3P4CE

TKR COLLEGE OF ENGINEERING AND TECHNOLOGY

(Autonomous, Accredited by NAAC with 'A' Grade)

B.Tech IV Semester Regular/Supplementary Examinations, September 2023

**MACHINE DRAWING
(MECHANICAL ENGINEERING)**

Maximum Marks: 70

Date:26.09.2023 Duration: 3 hours

Part-A

Answer any three questions carry equal marks

(3x10M=30 Marks)

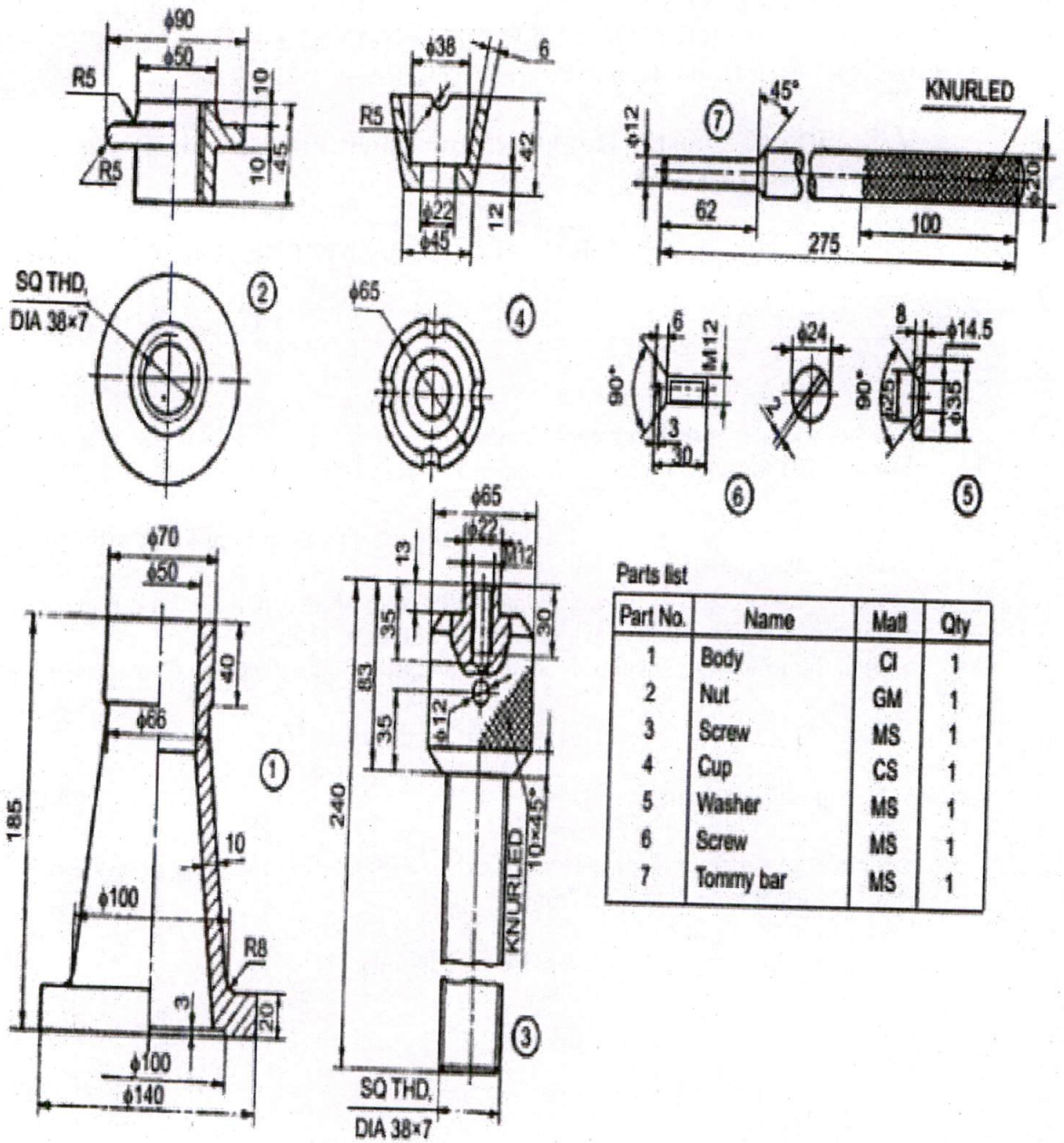
- 1 Sketch the following thread profiles and label in terms of pitch : (a) Acme thread (b) Knuckle thread. (10M)
- 2 Draw the front and top view of a double-riveted chain lap joint and the thickness of each plate to be joined is 9 mm. (10M)
- 3 Draw the half sectional front view and right side of a bushed pin type flange coupling, indicating proportions to two shafts, each of diameter 30 mm. (10M)
- 4 Sketch the following special nuts with standard proportions : (a) Cap screws (b) Ring nut (10M)

Part-B

Answer the following question

(40M X 1=40Marks)

- 1 The details of a screw jack are shown in the following Figure. Assemble the parts and draw
 - a) half sectional view from the front,
 - b) view from the right and
 - c) the view from above. All dimensions are in mm.



Parts list

Part No.	Name	Matl	Qty
1	Body	CI	1
2	Nut	GM	1
3	Screw	MS	1
4	Cup	CS	1
5	Washer	MS	1
6	Screw	MS	1
7	Tommy bar	MS	1