



R20 Regulation *Subject code:3P4CE*
TKR COLLEGE OF ENGINEERING AND TECHNOLOGY
(Autonomous, Accredited by NAAC with 'A' Grade)
B.Tech IV Semester Regular Examinations, JULY 2022

MACHINE DRAWING
(MECHANICAL ENGINEERING)

Maximum Marks: 70

Date:30.07.2022 Duration: 3 hours

Part-A

(3x10M=30 Marks)

Answer any three questions carry equal marks

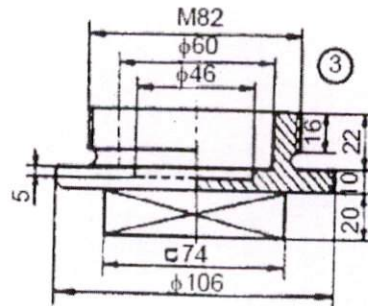
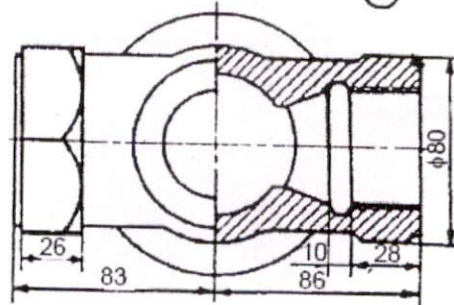
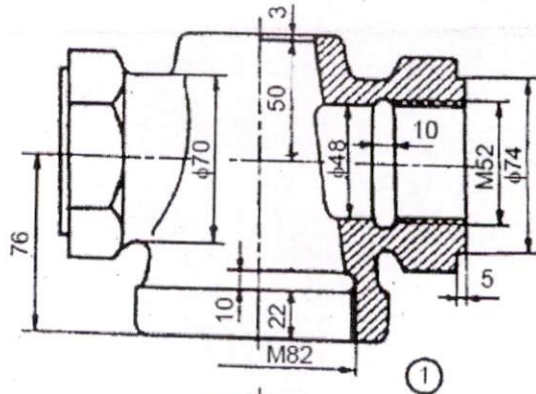
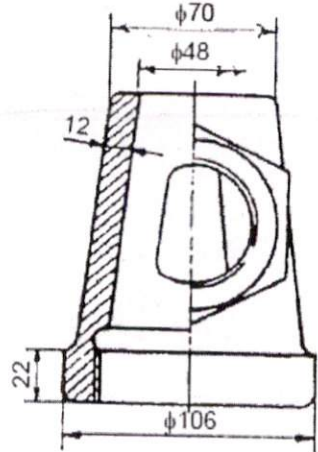
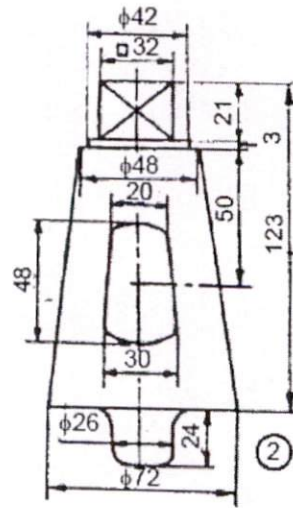
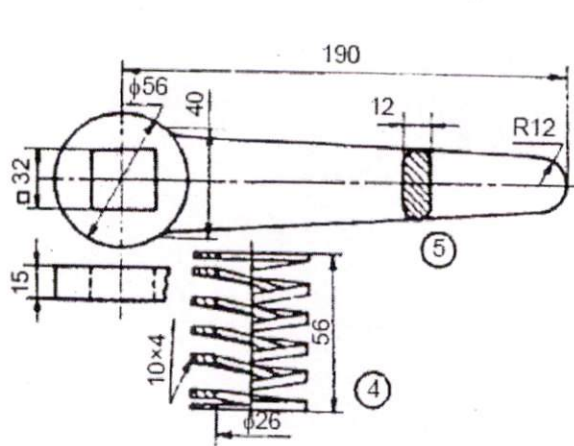
- 1 Draw the three views of a square headed bolt of diameter 30 mm.
- 2 Sketch the various methods of fitting a feather key in position.
- 3 Draw the conventional representation of any four material.
- 4 Draw any two views of a single riveted double strap butt joint for 16mm thick plates.

Part-B

(40M X 1=40Marks)

Answer the following question

- 1 The details of an air cock are shown in the following Figure. Assemble the parts and draw the (a) half sectional view from the front (b) view from the right and (c) the view from above. All dimensions are in mm.



Parts list

Part No.	Name	Matl	Qty
1	Body	CI	1
2	Plug	CI	1
3	Screw cap	MS	1
4	Spring	Spring S	1
5	Lever	FS	1